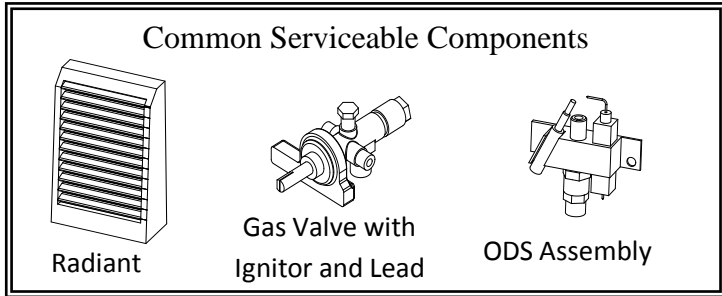
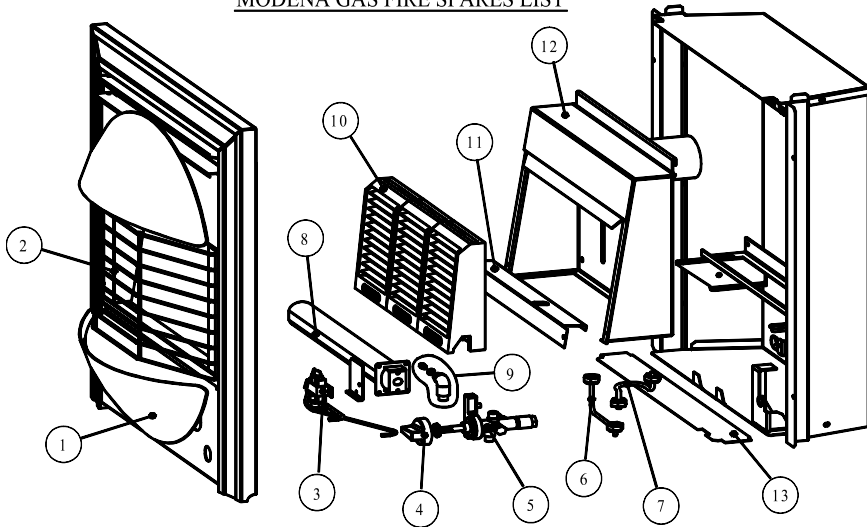




SPARE PARTS LIST _ FAULT DIAGNOSTICS
MODENA & VENITIAN GAS FIRES MANUFACTURED FROM 2002 ONWARD Model No's M1 – V1



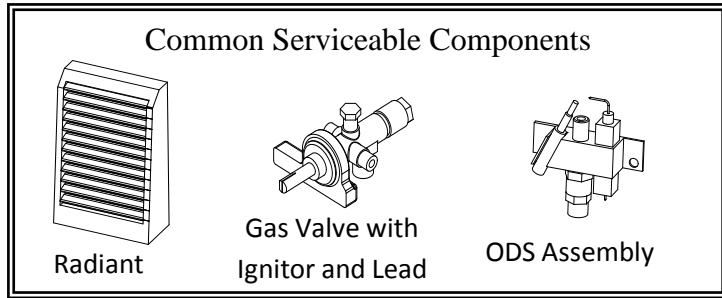
MODENA GAS FIRE SPARES LIST



| ITEM | PART NUMBER | DESCRIPTION |
|-------|-------------|---|
| 1 | W00110 | FRONT ASSEMBLY - BLACK |
| 1 | W00111 | FRONT ASSEMBLY - BLACK COPPER |
| 1 | W00175 | FRONT ASSEMBLY - GREY / BRASS TRIMS |
| 1 | W00176 | FRONT ASSEMBLY - GREY / CHROME TRIMS |
| 1 | W00177 | FRONT ASSEMBLY - BLACK / CHROME TRIMS |
| 1 | W00178 | FRONT ASSEMBLY - BLACK / BRASS TRIMS |
| 1 | W00179 | FRONT ASSEMBLY - GREY / CHROME TRIMS + 2 Grey canopy bars |
| 1 | W00180 | FRONT ASSEMBLY - BLACK COPPER / BRASS TRIMS |
| 1 | W00181 | FRONT ASSEMBLY - BLACK COPPER / CHROME TRIMS |
| 1 | W00182 | FRONT ASSEMBLY - BLACK / BRASS TRIMS + 2 Brass canopy bars |
| 1 | W00196 | FRONT ASSEMBLY - SILVER GREY |
| 1 | W00197 | FRONT ASSEMBLY - BLACK / BRASS TRIMS + Top & Bottom Brass bars |
| 1 | W00198 | FRONT ASSEMBLY - CHAMPAGNE / BRONZE TRIMS + Top & Bottom Champagne bars |
| 1 | W00216 | FRONT ASSEMBLY - GREY / CHROME TRIMS (Grey bottom dome) |
| 1 | W00217 | FRONT ASSEMBLY - BLACK / BRASS TRIMS (Fret bars only) |
| 1 | W00241 | FRONT ASSEMBLY - BLACK / CHROME TRIMS + 2 Chrome canopy bars |
| 1 | W00251 | FRONT ASSEMBLY - SILVER SPARKLE / SATIN CHROME FRAME |
| 1 | W00444 | FRONT ASSEMBLY - MUSHROOM / CREAM NO TRIMS Modena |
| 1 | W00522 | FRONT ASSEMBLY - (BRASS FRET TRIMS ONLY) Modena Grande |
| 1 | W00523 | FRONT ASSEMBLY - BRONZE TRIMS Modena Grande |
| 2 | W00079 | DRESS GUARD |
| 3 | W00020 | ODS ASSEMBLY - LPG (includes Thermocouple) |
| 3 | W00170 | ODS ASSEMBLY - NG (includes Thermocouple) |
| 4 | W00030 | CONTROL KNOB |
| 5 | W00407 | GAS VALVE - LPG (includes igniter & lead) |
| 5 | W00166 | GAS VALVE - NG (includes igniter & lead) |
| 6 | W00021 | PILOT PIPE |
| 7 | W00408 | BURNER PIPE |
| 7 | W00019 | BURNER PIPE - NG |
| 8 | W00283 | BURNER - LPG / NG |
| 9 | W00376 | INJECTOR & ELBOW - LPG |
| 9 | W00377 | INJECTOR & ELBOW - NG |
| 5/6/7 | W00413 | GAS VALVE KIT - INCLUDES PIPES |
| 10 | RA0002 | PACK OF THREE RADIANTS |
| 11 | W00082 | RADIANT RETENTION PANEL |
| 12 | W00015 | COMBUSTION CHAMBER |
| 13 | W00246 | FLAME DISTURBANCE KIT |
| 14 | W50001 | MODENA ENGINE ONLY |

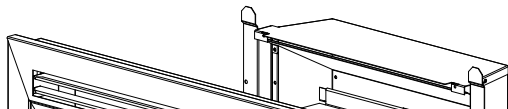
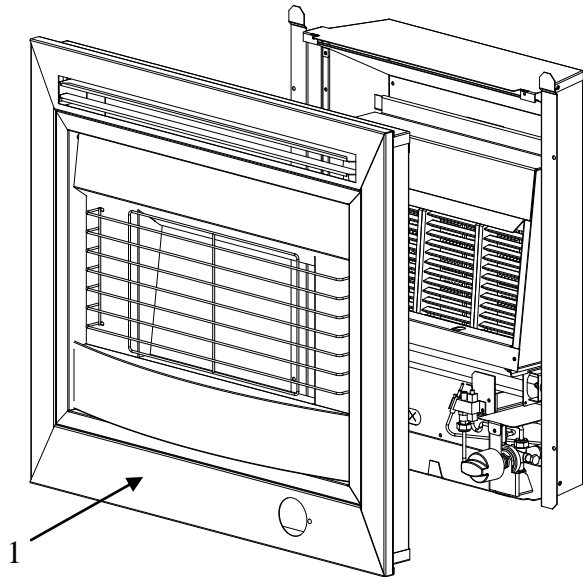


SPARE PARTS LIST _ FAULT DIAGNOSTICS
REVO GAS FIRES MANUFACTURED FROM 2007 ONWARD Model No's R1



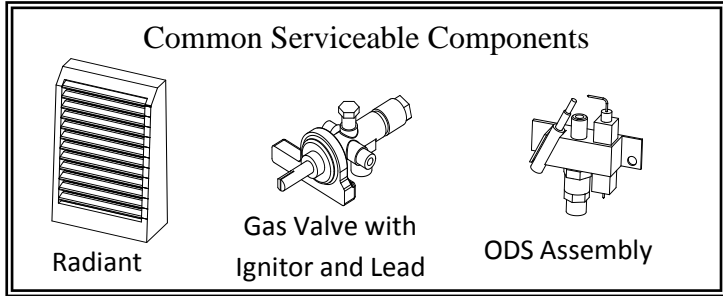
FOR PARTS not listed REFER TO MODENA DIAGRAM

| ITEM | PART NUMBER | DESCRIPTION |
|-------|-------------|--|
| 1 | W00320 | REVO FRAME – BLACK / CHROME TRIM |
| 1 | W00321 | REVO FRAME – BLACK / CHROME TRIM / GRANDE FRET |
| 1 | W00322 | REVO FRAME – STAINLESS STEEL |
| 1 | W00440 | REVO FRAME – ALL BLACK |
| 2 | W00315 | DRESS GUARD |
| 3 | W00020 | ODS ASSEMBLY – LPG (includes Thermocouple) |
| 3 | W00170 | ODS ASSEMBLY – NG (includes Thermocouple) |
| 4 | W00318 | CONTROL KNOB |
| 5 | W00407 | GAS VALVE – LPG (includes igniter & lead) |
| 5 | W00166 | GAS VALVE – NG (includes igniter & lead) |
| 6 | W00021 | PILOT PIPE |
| 7 | W00408 | BURNER PIPE |
| 7 | W00019 | BURNER PIPE - NG |
| 8 | W00283 | BURNER – LPG / NG |
| 9 | W00376 | INJECTOR & ELBOW – LPG |
| 9 | W00377 | INJECTOR & ELBOW - NG |
| 5/6/7 | W00413 | GAS VALVE KIT – INCLUDES PIPES |
| 10 | RA0002 | PACK OF THREE RADIANTS |
| 11 | W00082 | RADIANT RETENTION PANEL |
| 12 | W00015 | COMBUSTION CHAMBER |
| 13 | W00246 | FLAME DISTURBANCE KIT |



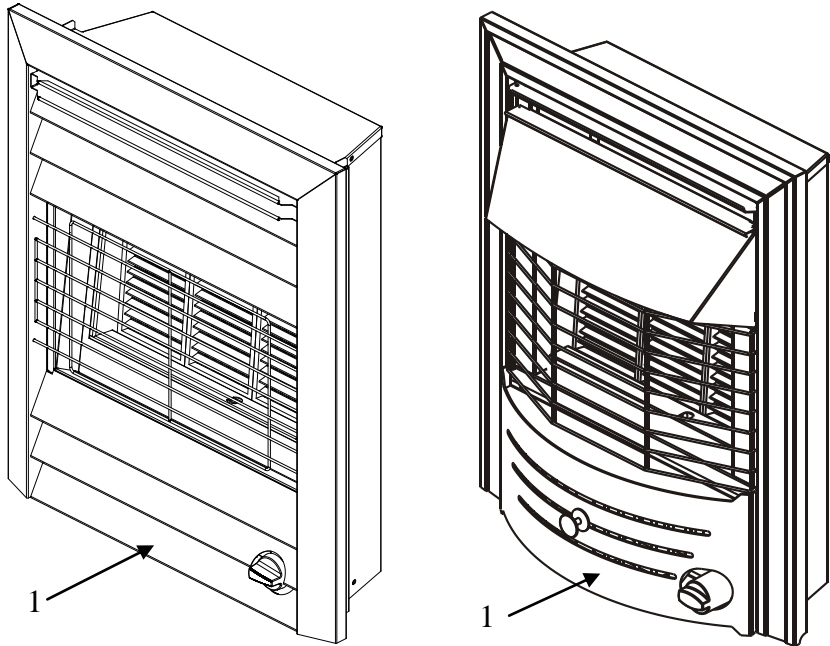


SPARE PARTS LIST _ FAULT DIAGNOSTICS
SALERNO II GAS FIRES MANUFACTURED FROM 2008 ONWARD Model No's S2
PALERMO GAS FIRES MANUFACTURED FROM 2008 ONWARD Model No's PA1



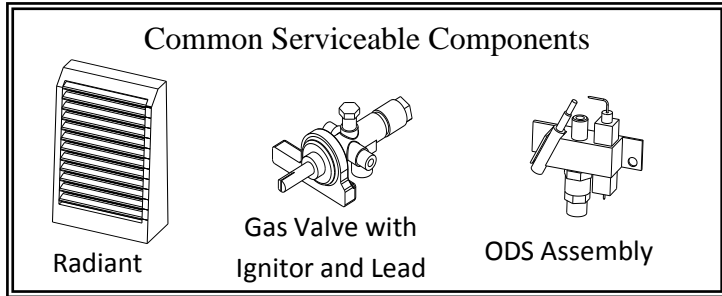
FOR PARTS not listed REFER TO MODENA DIAGRAM

| ITEM | PART NUMBER | DESCRIPTION |
|-------|-------------|--|
| 1 | W00392 | SALERNO II FRAME ASSEMBLY - BLACK |
| 1 | W00393 | SALERNO II FRAME ASSEMBLY - BLACK & CHROME |
| 2 | W00394 | DRESS GUARD |
| 3 | W00020 | ODS ASSEMBLY - LPG (includes Thermocouple) |
| 3 | W00170 | ODS ASSEMBLY - NG (includes Thermocouple) |
| 4 | W00318 | CONTROL KNOB |
| 5 | W00407 | GAS VALVE - LPG (includes igniter & lead) |
| 5 | W00166 | GAS VALVE - NG (includes igniter & lead) |
| 6 | W00021 | PILOT PIPE |
| 7 | W00408 | BURNER PIPE |
| 7 | W00019 | BURNER PIPE - NG |
| 8 | W00283 | BURNER - LPG / NG |
| 9 | W00376 | INJECTOR & ELBOW - LPG |
| 9 | W00377 | INJECTOR & ELBOW - NG |
| 5/6/7 | W00413 | GAS VALVE KIT - INCLUDES PIPES |
| 10 | RA0002 | PACK OF THREE RADIANTS |
| 11 | W00082 | RADIANT RETENTION PANEL |
| 12 | W00015 | COMBUSTION CHAMBER |
| 13 | W00246 | FLAME DISTURBANCE KIT |
| 1 | W00529 | PALERMO FRAME - SILVER SPARKLE & CHROME |

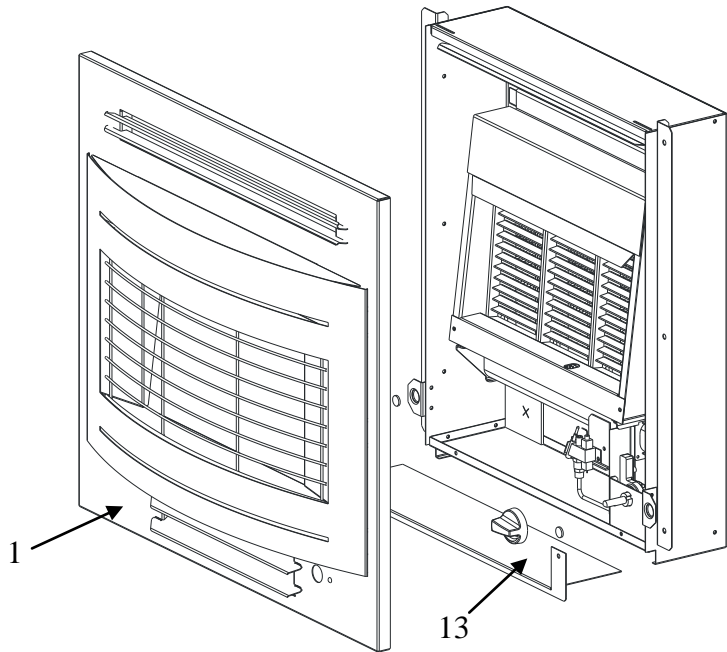




SPARE PARTS LIST _ FAULT DIAGNOSTICS
CURVASCAPE GAS FIRES MANUFACTURED FROM 2010 ONWARD Model No's CS1GL



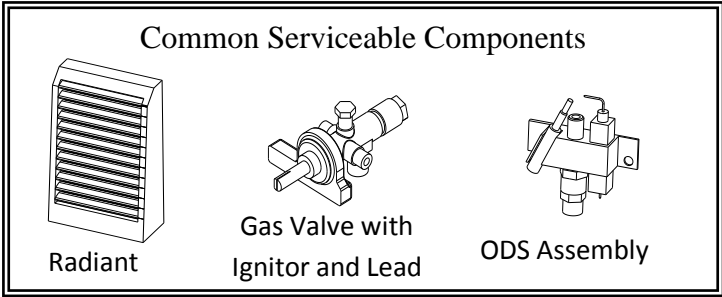
FOR PARTS not listed REFER TO MODENA DIAGRAM



| ITEM | PART NUMBER | DESCRIPTION |
|------|-------------|--|
| 1 | W00512 | CURVASCAPE GL FRAME BLACK |
| 1 | W00513 | CURVASCAPE GL FRAME BLACK / GOLD TRIM |
| 1 | W00514 | CURVASCAPE GL FRAME GREY / S/S TRIM |
| 1 | W00515 | CURVASCAPE GL FRAME GREY / SILVER SPARKLE TRIM |
| 1 | W00516 | CURVASCAPE GL FRAME MUSHROOM / CREAM TRIM |
| 1 | W00587 | CURVASCAPE GL FRAME LIGHT BLUE |
| 1 | W50002 | CURVASCAPE GL FRAME BLACK / S/S TRIM |
| 1 | W50003 | CURVASCAPE GL FRAME BROWN / S/S TRIM |
| 1 | W50006 | CURVASCAPE GL FRAME ALL S/S (Black louvres) |
| 2 | W00470 | DRESS GUARD |
| 3 | W00020 | ODS ASSEMBLY – LPG (includes Thermocouple) |
| 4 | W00488 | CONTROL KNOB |
| 5 | W00407 | GAS VALVE – LPG (includes igniter & lead) |
| 6 | W00487 | PILOT PIPE |
| 7 | W00486 | BURNER PIPE |
| 8 | W00283 | BURNER – LPG / NG |
| 9 | JE001 | INJECTOR LPG |
| 10 | RA0002 | PACK OF THREE RADIANTS |
| 11 | W00082 | RADIANT RETENTION PANEL |
| 12 | W00015 | COMBUSTION CHAMBER |
| 13 | W00454 | HEARTH CLOSURE PLATE |

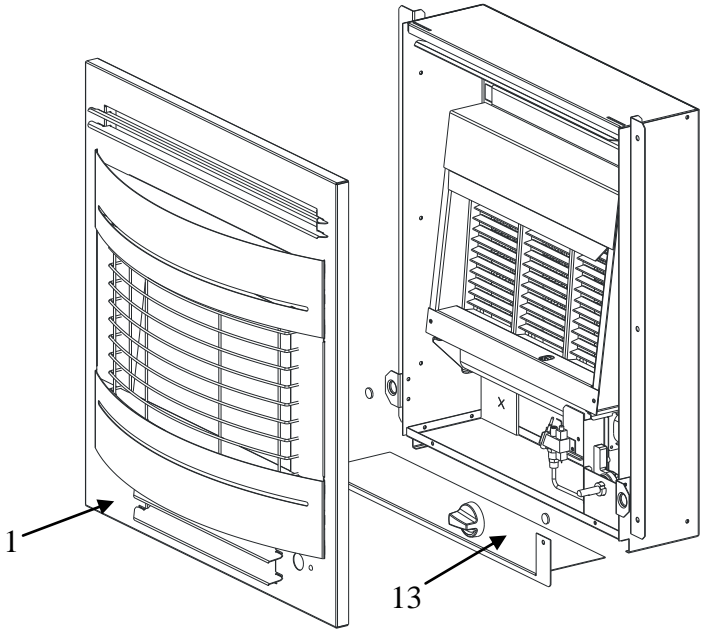


SPARE PARTS LIST _ FAULT DIAGNOSTICS
CURVASCAPE GAS FIRES MANUFACTURED FROM 2010 ONWARD Model No's CS1GP / CS1GPW / CS1GPD



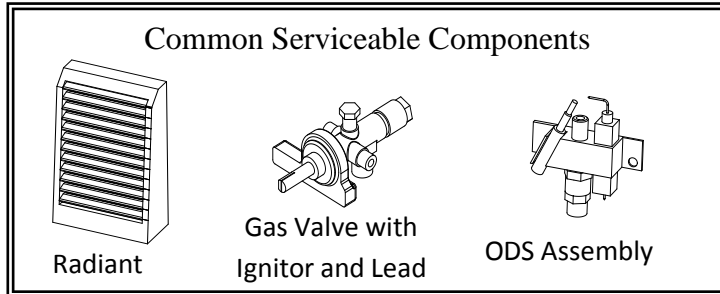
FOR PARTS not listed REFER TO MODENA DIAGRAM

| ITEM | PART NUMBER | DESCRIPTION |
|------|-------------|---|
| 1 | W00517 | CURVASCAPE GP FRAME BLACK / GOLD TRIMS |
| 1 | W00518 | CURVASCAPE GP FRAME BLACK / S/S TRIMS |
| 1 | W00519 | CURVASCAPE GP FRAME GREY SPARKLE / S/S TRIMS |
| 1 | W00527 | CURVASCAPE GP FRAME GREY SPARKLE / SILVER SPARKLE TRIMS |
| 1 | W00520 | CURVASCAPE GPW FRAME BLACK / S/S TRIMS |
| 1 | W00521 | CURVASCAPE GPW FRAME GREY SPARKLE / S/S TRIMS |
| 2 | W00483 | DRESS GUARD |
| 3 | W00020 | ODS ASSEMBLY – LPG (includes Thermocouple) |
| 4 | W00488 | CONTROL KNOB |
| 5 | W00407 | GAS VALVE – LPG (includes igniter & lead) |
| 6 | W00487 | PILOT PIPE |
| 7 | W00486 | BURNER PIPE |
| 8 | W00283 | BURNER – LPG / NG |
| 9 | JE001 | INJECTOR LPG |
| 10 | RA0002 | PACK OF THREE RADIANTS |
| 11 | W00082 | RADIANT RETENTION PANEL |
| 12 | W00015 | COMBUSTION CHAMBER |
| 13 | W00454 | HEARTH CLOSURE PLATE |

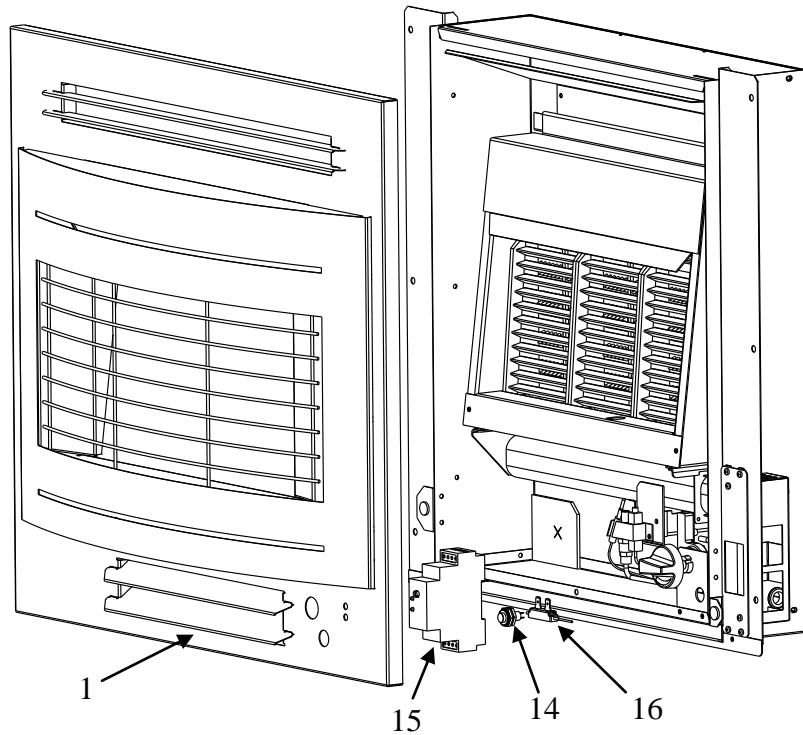




SPARE PARTS LIST _ FAULT DIAGNOSTICS
LE CURVASCAPE GAS FIRES MANUFACTURED FROM 2014 ONWARD Model No LECS1GL RANGE



FOR PARTS not listed REFER TO MODENA DIAGRAM



| ITEM | PART NUMBER | DESCRIPTION |
|------|-------------|---|
| 1 | W00736 | CURVASCAPE GL TIMER FRAME – BLACK / GOLD TRIMS |
| 1 | W00737 | CURVASCAPE GL TIMER FRAME – BLACK / STAINLESS STEEL TRIMS |
| 2 | W00483 | DRESS GUARD |
| 3 | W00020 | ODS ASSEMBLY – LPG (includes Thermocouple) |
| 4 | W00488 | CONTROL KNOB |
| 5 | W00407 | GAS VALVE – LPG (includes igniter & lead) |
| 6 | W00487 | PILOT PIPE |
| 7 | W00486 | BURNER PIPE |
| 8 | W00283 | BURNER – LPG / NG |
| 9 | W00738 | INJECTOR 2kW LPG |
| 10 | RA0002 | PACK OF THREE RADIANTS |
| 11 | W00082 | RADIANT RETENTION PANEL |
| 12 | W00015 | COMBUSTION CHAMBER |
| 13 | W00454 | HEARTH CLOSURE PLATE |
| 14 | W50007 | PUSH BUTTON ASSEMBLY |
| 15 | W50008 | TIMER RELAY ASSEMBLY |
| 16 | W50009 | THERMOCOUPLE INTERRUPTER |

| GAS FIRE TROUBLE SHOOTING TABLE | | | | | |
|---------------------------------|--|---|---|---|---|
| | Fault | Action | I still have a problem | Action | I still have a problem |
| 1 | Fire will not ignite. TIMER FIRE: Fire will not ignite. | Check gas pressure at fire. TIMER FIRE: Check gas pressure at fire, Check Green and Red LED's are illuminated, Check Power supply. | If pressure is correct see item 2 TIMER FIRE: If pressure is correct & Power / LED's are on (Timer fire) see Item 2. | | See trouble shooting headings for further assistance: If Fault not listed contact Widney Customer service |
| 2 | The pilot does not spark | Check spark Gap | Spark Gap is correct but has no spark | Replace igniter | As Above |
| 3 | Fire Ignition Sparks but does not light | Check pilot jet for blockage | Pilot is clear but no gas coming through | Check Main Gas Valve for blockage | As Above |
| 4 | Pilot light ignites but main burner does not ignite | Check main injector for blockage | The main injector is clear but the fire does not ignite | Check Main Gas Valve for Blockage | As Above |
| 5 | Pilot Light ignites but when the fire is turned up the main burner does not ignite and the pilot light goes out | Replace Pilot Light Assembly | | | |
| 6 | Pilot flame lifts off Pilot assembly | Retry ignition sequence up to 5 times | Replace pilot assembly | | |
| 7 | Main burner ignites but flame is very low | Check main injector for blockage | The main injector is clear | Check for blockage in main gas valve and pipe work | As Above |
| 8 | The main gas valve is blocked | Replace gas valve | See trouble shooting headings for further assistance: If Fault not listed contact: Widney Customer service | | |
| 9 | The gas feed pipe is blocked | Replace gas feed pipe | As Above | | |
| 10 | Ceramic Radiant turning black (Sooting) | Ensure that no direct draft is entering the fire | There are no drafts around the fire | Check to ensure radiants are correctly fitted | As Above |
| 11 | The main burner is blocked | Replace burner | See trouble shooting headings for further assistance: If Fault not listed contact: Widney Customer service | | |
| 12 | Fire burns with yellow flame | Ensure that no direct draft is entering the fire | There are no drafts around the fire | Check main injector for blockage | Contact Widney Customer service |
| 13 | Fire Flame fluctuates | Ensure that no direct draft is entering the fire | There is a draft from the rear of the fire | Contact Widney Customer service | |
| 14 | Fire appears to be getting too hot | Check gas pressure at fire | The gas pressure is correct | Contact Widney Customer service | |
| 15 | Fire does not get hot enough | Check main injector for blockage | The injector is clear | Check gas pressure at fire | As Above |